

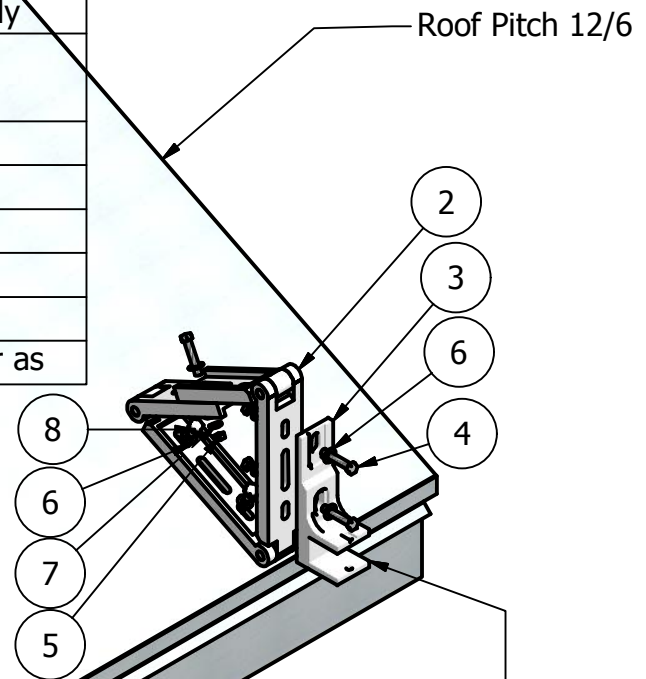
2

1

PARTS LIST

ITEM	QTY	PART NUMBER	DESCRIPTION
1	1	Roof Section 6 feet	For Visual Only
2	2	Voss Roof Support Assembly MI.SIM19LA	
3	2	Voss V688.010.001.X	
4	6	.375 In X 2 Inch Bolt	
5	6	.375 In Nut	
6	18	.375 in Washer	
7	6	.375 in Lock Washer	
8	4	Lag Screw .250 X 6 Inch	Length and diameter as required

Place Roof Bracket in a location that will allow lag bolts to go into the rafters and allow movement of the awning after installation.



In some applications Brackets will need to be inverted to accomadate the awning Movement.

Secure Awning Bracket to Roof Bracket with 3/8" Bolt with washers on each side and a lock washer on the back as shown.

B

B

A

A

DRAWN	Travise	7/24/2013
CHECKED		
QA		
MFG		
APPROVED		

ROLLAC <small>ROLLING SHUTTERS</small>		
TITLE Roof Bracket Typical Installation		
SIZE	DWG	REV
A	Roof Section with Roof Support Brackets Assembly	
SCALE		SHEET 1 OF 1

2

1

